

SJ5545 E

ELECTRIC SCISSORS



STANDARD FEATURES

- Drivable at full height
- Variable speed, dual rear wheel electric drive
- Dual holding brakes
- SKYCODED™ Color coded and numbered wiring system
- On-board visual interface with diagnostic capabilities
- Shroud style, impact resistant composite control box with extended cable
- Low battery indicator light on control box
- Proportional controls for drive & lift functions
- 3' (0.91 m) Roll out extension deck
- 24V DC Power source
- 110V AC Outlet on platform with GFI
- Low voltage battery protection
- 25% Gradeability
- Solid rubber, non-marking tires
- Pothole protection system
- Tilt alarm with drive & lift cut-out (3.0° x 1.5°)
- All motion audible alarm
- 28 mph (12.5 m/s) Wind rating up to 22' (6.7 m)
- Lanyard attachment points
- Operator horn
- Overload sensing system
- Fold down hinged railing system
- Full height spring hinged entry gate
- Telematics ready
- 2-Year Gold Leaf Warranty (5-year structural warranty)



- ZERO emissions



- <70 dB inherently quiet machine operation (excl. alarms)
- White noise/broadband alarms - *optional*



- 90% recyclable (by weight)



- ECOTRAY leak containment - *optional*
- Bio-degradable hydraulic oil - *optional*

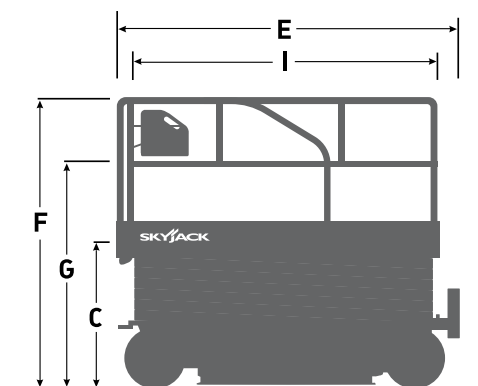
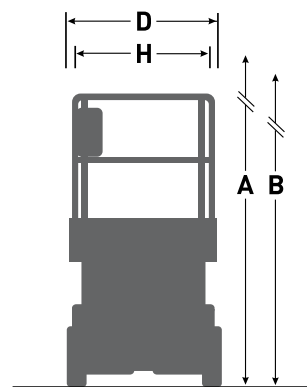


- Telematics – remote diagnostics reduces site visits (operational carbon foot print)



SJ5545 E ELECTRIC SCISSORS

Dimensions	SJ5545 E
A Work Height	51' (15.54 m)
B Raised Platform Height	45' (13.72 m)
C Lowered Platform Height	65" (1.65 m)
D Overall Width	55" (1.4 m)
E Overall Length	115" (2.92 m)
F Stowed Height (Rails Up)	109.8" (2.79 m)
G Stowed Height (Rails Down)	79.5" (2.02 m)
H Platform Width (Inside Dimension)	46.8" (1.19 m)
I Platform Length (Inside Dimension)	104" (2.64 m)
Specifications	SJ5545 E
Extension Deck (Roll Out)	3' (0.91 m)
Ground Clearance (Pothole Raised)	6" (15 cm)
Ground Clearance (Pothole Deployed)	0.5" (1.3 cm)
Wheelbase	92" (2.34 m)
Weight	7,675 lbs (3,481 kg)
Gradeability	25%
Turning Radius (Inside)	19" (0.48 m)
Turning Radius (Outside)	122" (3.1 m)
Lift Time (With Rated Load)	99 sec
Lower time (With Rated Load)	55 sec
Drive Speed (Stowed)	2 mph (3.2 km/h)
Drive Speed (Raised)	0.4 mph (0.58 km/h)
Maximum Drive Height	Full Height
Capacity (Overall)	770 lbs (350 kg)
Distributed Capacity (Main Platform)	470 lbs (215 kg)
Distributed Capacity (Extension Deck)	300 lbs (135 kg)
Local Floor Load (With Rated Load)	235 psi (1,622 kPa)
Overall Floor Load (With Rated Load)	242 psf (11.6 kPa)
Maximum # of persons at 0 mph (0 m/s) wind rating	3
Maximum # of persons up to 28 mph (12.5 m/s) wind rating	2 Up to 22' (6.7 m)
Tire Type	Solid, N/M
Tire Size	16 x 5 x 12



ACCESSORYZERS †

- Light duty pipe rack
- Heavy duty pipe rack
- Board carrier
- Tool caddy
- ECOTRAY leak containment system
- Secondary Guarding Lift Enable (SGLE)
- Perimeter lights

OPTIONS †

- Dual flashing lights
- White noise alarm
- AGM Batteries
- Coiled control box cable
- Lockable swingout trays
- Bio oil
- Non-destructive testing
- ELEVATE telematics (1-year, 3-year or 5-year plans available)
- Extended warranty (3-year or 5-year plans available)